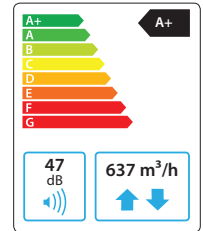


Domekt CF 700 V C6

Maximal air flow, m ³ /h	637
Maximal air flow, l/s	177
Unit weight, kg	100
Supply voltage, V	1~230
Maximal operating current, A	HE11,7
Thermal efficiency of heat recovery, %	88
Reference flow rate, m ³ /s	0,124
Reference pressure difference, Pa	50
SPI, W/(m ³ /h)	0,30
Filters dimensions BxHxL, mm	390x300x46
Electric power input of the fan drive at reference flow rate, W	73
Electric power input of the fan drive at maximum flow rate, W	179
Electric air heater capacity, kW / Δt, °C	0,5 / 3,1
Electric preheater capacity, kW / Δt, °C	1,5 / 9,3
Maintenance space, mm	1000
Control system	C6



Acoustic data

A-weighted sound power level L_{WA} , dB(A) at reference flow rate

Supply inlet	47
Supply outlet	67
Exhaust inlet	47
Exhaust outlet	67
Casing	47

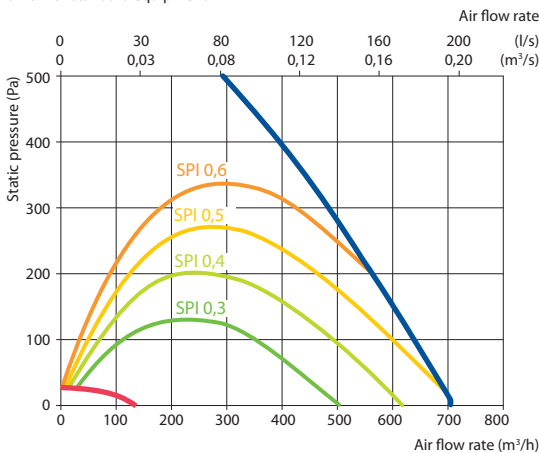
A-weighted sound pressure level L_{PA} , dB(A)

10 m² normally isolated room, distance from casing – 3 m.

Surroundings	36
--------------	----

Performance

Unit with standard equipment



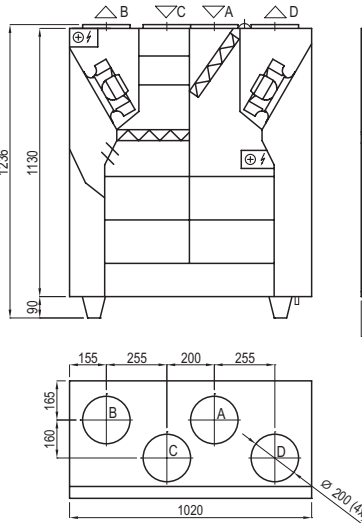
Temperature efficiency

	Winter					Summer		
Outside temperature, °C	-23	-15	-10	-5	0	25	30	35
After heat exchanger*, °C	17,3*	17,9*	18,1*	18,1	18,8	22,4	23,2	23,9

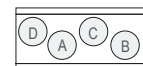
indoor +22°C, 20 % RH.

* calculations made after evaluation of the preheater.

Shown as left (L1)



Shown as right (R1)



- A outdoor intake
- B supply air
- C extract indoor
- D exhaust air

Accessories

Closing damper	AGUJ-M-200+LF230/CM230
Silencer	A/D AGS-200-50-600-M
	B/C AGS-200-50-900-M
Water heater	DH-200
PPU	PPU-HW-3R-15-0,4-W2
2-way valve (heater)	VVP47.10-0,4

Water cooler	DCW-0,7-5
2-way valve (cooler)	VVP47.15-2,5
Outdoor grill	LD-200
Water heater-cooler	DHCW-200
DX cooler	DCF-0,7-5
Cooling unit	MOU-18HFN8+KA8140

